

PXE150T

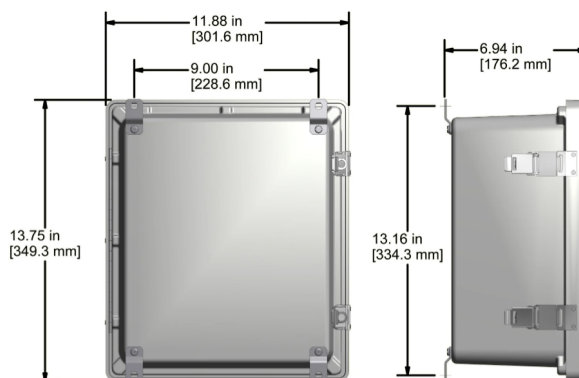


Proximity Probe Driver Enclosure with Terminal Blocks Included, Fiberglass, NEMA 4X (IP66) Rated, Channel Options: 1 to 6



Product Features

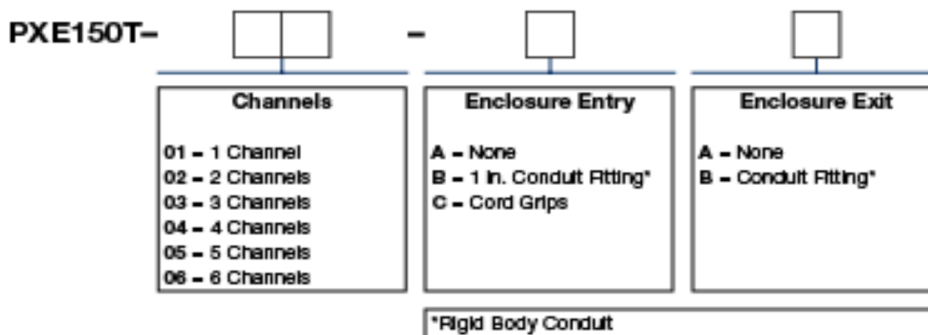
- Accommodates up to 6 Proximity Probe Drivers
- Enclosure protects components from dirt, dust, oil, & water
- ▶ For use with 4-20 mA Output Drivers
- ▶ Accommodates up to 6 Terminal Blocks
- ▶ Proximity Probe Drivers Sold Separately. All Newly Purchased Drivers Come Fully Installed and Wired



Specifications

| | |
|----------------------|---|
| Temperature Range | 15° to 140°F (-10° to 60°C) |
| Enclosure Material | Fiberglass |
| Inputs | Screw Terminal Blocks |
| Outputs | BNC Jack for Dynamic Signal and Terminal Blocks |
| Sensor Input Options | 298 x 349 x 176 mm |
| Rating | NEMA 4X |
| Dimensions | 11.73 x 13.74 x 6.93 in (298 x 349 x 176 mm) |
| Resistance | Resistant to Hose Directed Fluid and Corrosion |

Ordering Information



Lifetime Warranty on Materials & Workmanship
www.ctconline.com | sales@ctconline.com | 585-924-5900