

PXE150P Standard Size



Proximity Probe Driver Enclosure with Power Supply Included, Fiberglass, NEMA 4X (IP66) Rated, Channel Options: 1 to 6

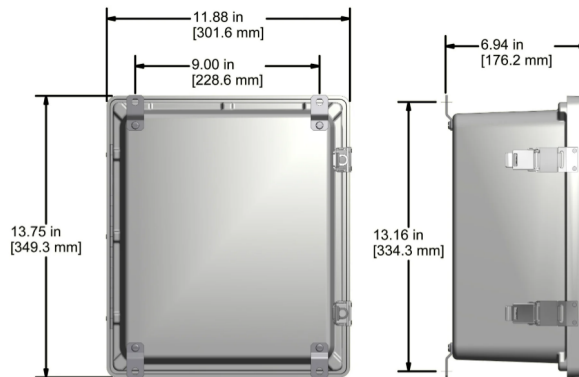


Product Features

Accommodates up to 6 Proximity Probe Drivers

Enclosure protects components from dirt, dust, oil and water

- ▶ Power Supply Included: switchable 110/220 VAC to 100/240 VAC to 24VDC
- ▶ Proximity Probe Drivers Sold Separately. All Newly Purchased Drivers Come Fully Installed and Wired



Specifications

Temperature Range	15 to 140 °F (-10 to 60 °C)
Enclosure Material	Fiberglass
Power	100 - 240 VAC
Inputs	Screw Terminal Block Directly Into Proximity Probe
Outputs	BNC Jack for Dynamic Signal and Terminal Blocks
Sensor Input Options	1 - 6 Channels
Rating	NEMA 4X (IP66)
Door Closure	Snap Latches
Dimensions	11.73 x 13.74 x 6.93 in (298 x 349 x 176 mm)
Resistance	Resistant to Hose Directed Fluid and Corrosion

Ordering Information

PXE - -

Enclosure Type	Temperature	Channels	Enclosure Entry	Enclosure Exit
150 - Fiberglass Enclosure 250 - Stainless Steel Enclosure	Blank - No Power Supply P - Power Supply	01 - 1 Channel 02 - 2 Channels 03 - 3 Channels 04 - 4 Channels 05 - 5 Channels 06 - 6 Channels	A - None B - 1 In. Conduit Fitting* and ½ In. Conduit Fitting for Power* C - Cord Grips and ½ In. Conduit Fitting for Power*	A - None B - Conduit Fitting*

*Rigid Body Conduit
 ½ In. Conduit Fitting included on Power Supply Options Only.

Lifetime Warranty on Materials & Workmanship
 www.ctconline.com | sales@ctconline.com | 585-924-5900