

# HS-420SRT Accelerometer

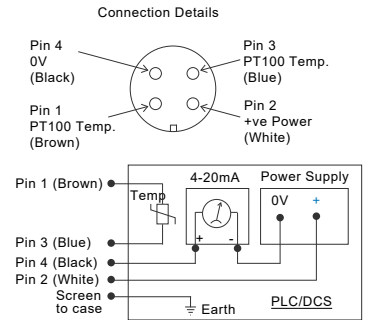
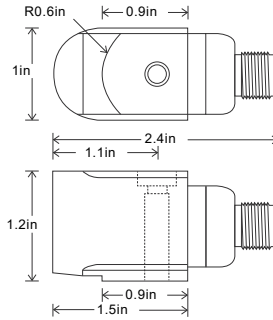
## 4-20mA velocity and PT100 temperature output via M12 Connector

### Key Features

- For use with PLC/DCS systems
- PT100 temperature output

### Industries

Building services, Pulp and Paper, Mining, Metals, Utilities, Automotive, Water, Pharmaceutical



### Technical Performance

Mounted Base Resonance	5kHz min
Velocity Ranges	see: 'How To Order' table $\pm 10\%$
Frequency Response	600cpm (10Hz) to 60kcpm (1kHz) $\pm 5\%$ - ISO10816
Isolation	Nominal 80Hz at 72°F
Range	Base isolated
Temperature Output	50g peak
Transverse Sensitivity	PT100 (100 Ohms)
	Less than 5%

### Mechanical

Case Material	Stainless Steel
Sensing Element/Construction	PZT/Shear
Mounting Torque	5.9ft. lbs
Mounting Bolt Provided	see: 'How To Order' table x 1.2in long
Weight	6.5 oz. (nominal) body only
Shielded Cable Assembly	HS-AC010 - straight
	HS-AC011 - right angle
Mounting Threads	see: 'How To Order' table

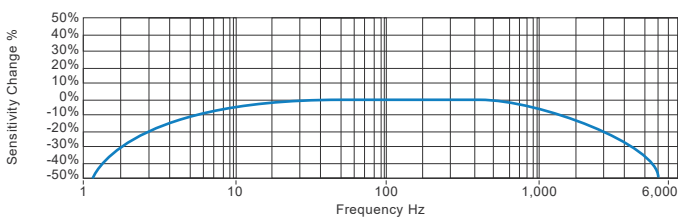
### Electrical

Current Output	4-20mA DC proportional to Velocity Range
Supply Voltage	15-30 Volts DC (for 4-20mA)
Settling Time	1 second
Output Impedance	Loop Resistance 600 Ohms max. at 24 Volts
Case Isolation	$>10^8$ Ohms at 500 Volts

### Environmental

Operating Temperature Range	-13 to 194°F
Sealing	IP67
Maximum Shock	5000g
EMC	EN61326-1:2013

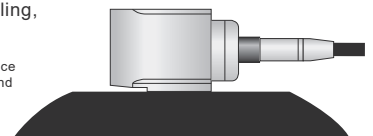
### Typical Frequency Response



### Applications

Fans, Motors, Pumps, Compressors, Centrifuges, Conveyors, Air Handlers, Gearboxes, Rolls, Dryers, Presses, Cooling, VAC, Spindles, Machine Tooling, Process Equipment

Vibration sensor should be firmly fixed to a flat surface (spot face surface may be needed to be produced and cable anchored to sensor body.)



### How To Order

<b>Product Prefix</b> HS - Hansford Sensors	<b>Product Series</b> 420 - Industrial Vibration Sensor														
		<b>H</b>	<b>S</b>	<b>4</b>	<b>2</b>	<b>0</b>	<b>S</b>	<b>R</b>	<b>T</b>	<b>X</b>	<b>X</b>	<b>X</b>	<b>X</b>	<b>X</b>	<b>X</b>
<b>Extra Options (if required)</b>					<b>Velocity Range (RMS unless specified)</b>			<b>Cable/Connector</b>			<b>Mounting Threads</b>				
F - Filtered L - 316L Stainless Steel RT - Temperature Output PT100 S - 90° Side Exit		U - Imperial Range UP - Imperial Peak Range UPP - Imperial Peak to Peak Range			012 - 1/2 IPS 025 - 1 IPS 050 - 2 IPS 100 - 4 IPS			01 - PUR 54 - M12			02 - 1/4-28" UNF Male 06 - M6 x 1mm Male 08 - M8 x 1.25mm Male				



www.ie-central.com

We reserve the right to alter the specification of this product without prior notice  
TS1429U

