

HS-420 Accelerometer

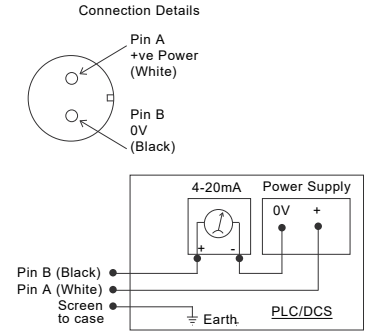
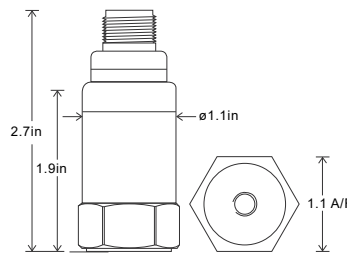
4-20mA velocity output via 2 Pin MS Connector

Key Features

- For use with PLC/DCS systems
- Customizable features

Industries

Building services, Pulp and Paper, Mining, Metals, Utilities, Automotive, Water, Pharmaceutical



Technical Performance

Mounted Base Resonance	5kHz min
Velocity Ranges	see: 'How To Order' table $\pm 10\%$ Nominal 80Hz at 72°F
Frequency Response	600cpm (10Hz) to 60kcpm (1kHz) $\pm 5\%$ - ISO10816
Isolation	Base isolated
Range	50g peak
Transverse Sensitivity	Less than 5%

Mechanical

Case Material	Stainless Steel
Sensing Element/Construction	PZT/Compression
Mounting Torque	5.9ft. lbs
Weight	5.2 oz. (nominal) body only
Shielded Cable Assembly	see: www.hansfordsensors.com for options
Connector	HS-AA004 - non-booted HS-AA053 or HS-AA054 - booted
Mounting Threads	see: 'How To Order' table

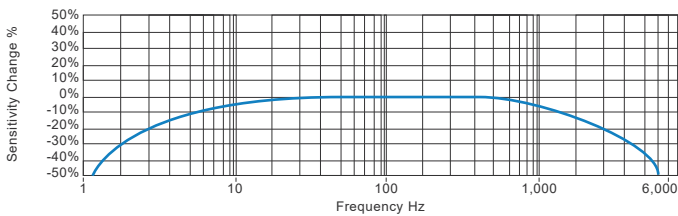
Electrical

Current Output	4-20mA DC proportional to Velocity Range
Supply Voltage	15-30 Volts DC (for 4-20mA)
Settling Time	2 seconds
Output Impedance	Loop Resistance 600 Ohms max. at 24 Volts
Case Isolation	$>10^8$ Ohms at 500 Volts

Environmental

Operating Temperature Range	-13 to 248°F
Sealing	IP68
Maximum Shock	5000g
EMC	EN61326-1:2013

Typical Frequency Response



Applications

Fans, Motors, Pumps, Compressors, Centrifuges, Conveyors, Air Handlers, Gearboxes, Rolls, Dryers, Presses, Cooling, VAC, Spindles, Machine Tooling, Process Equipment

Vibration sensor should be firmly fixed to a flat surface (spot face surface may be needed to be produced and cable anchored to sensor body.)



How To Order

Product Prefix HS - Hansford Sensors	Product Series 420 - Industrial Vibration Sensor													
		H	S	4	2	0	X	X	X	X	X	X	X	
Extra Options (if required)		F - Filtered			U - Imperial Range			Velocity Range (RMS unless specified)			Cable/Connector		Mounting Threads	
I - Intrinsically Safe		UP - Imperial Peak Range			012 - 1/2 IPS			01 - PUR		01 - 1/4-28" UNF Female		02 - 1/4-28" UNF Male		
L - 316L Stainless Steel		UPP - Imperial Peak to Peak Range			025 - 1 IPS			02 - Braided		05 - Quick Fit Female		06 - M6 x 1mm Male		
RT - Temperature Output PT100					050 - 2 IPS			07 - Silicon		08 - Flame Retardant		08 - M8 x 1.25mm Male		
S - 90° Side Exit					100 - 4 IPS			50 - 2 Pin MS		10 - M10 x 1.5mm Male				
T - Temperature Output								54 - M12						



www.ie-central.com

We reserve the right to alter the specification of this product without prior notice

TS1426U

