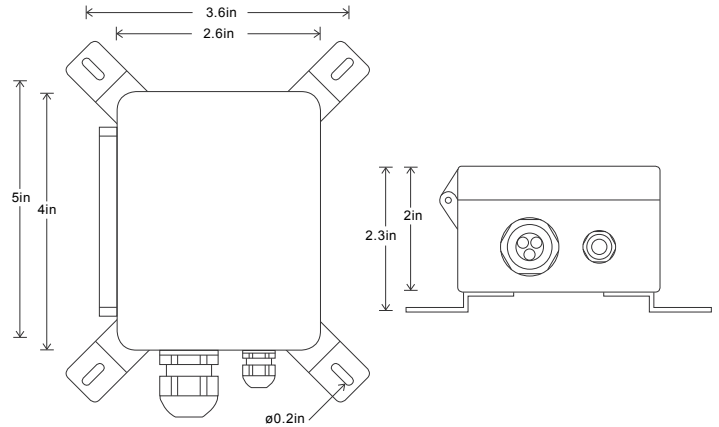


HS-DE Diecast Enclosure

Powdercoated Black Aluminium

Key Features

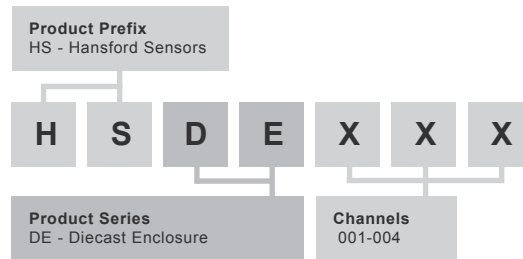
- Provides a terminal to take readings from accelerometers via a portable data-collector
- Multiple outputs via multiple connectors



Technical Performance

Inputs	Via accelerometer	Glanding	Glands supplied but not fitted
Output	BNC		Holes are punched for:
Material	Powdercoated Black Aluminium		Single input M12 - \varnothing 0.1-0.3in cable
Dimensions	see: diagram		Single input M20 - \varnothing 0.3-0.7in multi-core cable
Sealing	NEMA 12		Multi input M20 - 3 x \varnothing 0.2in
Termination	Industrial connectors	Mounting	supplied are 4 x Brackets
Door	Single latch closing	EMC	EN61326-1:2013

How To Order



www.ie-central.com

We reserve the right to alter the specification of this product without prior notice
TS1411U

