

# SURETHERM 10X



The new heating method, easy set on a modern touch screen, is specially developed for the heating of gears and bearings. The user can set the temperature and time (ramp), or place two sensors (optional). The major advantage this provides is the temperature differential between the internal and external component materials remains low thus reducing the potential for material stress accumulation and subsequent potential distortional damage.

### Electricity

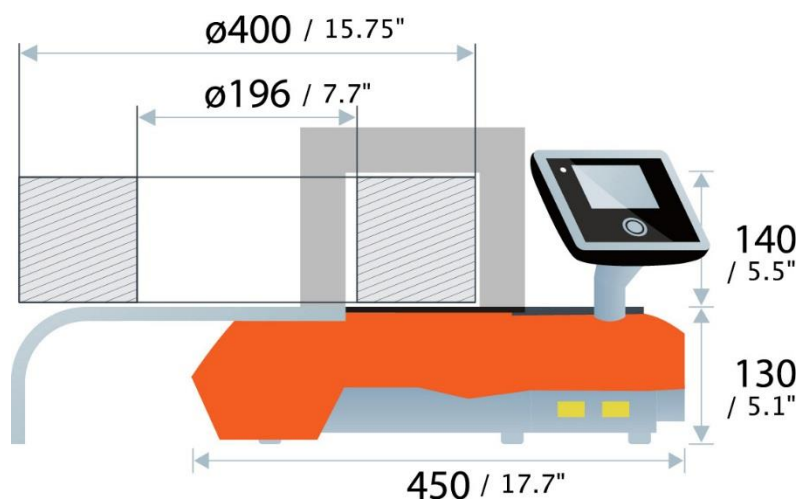
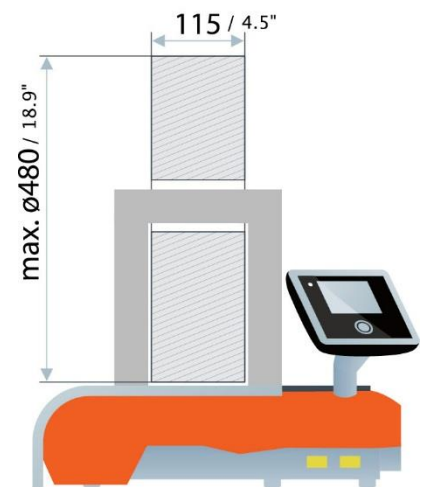
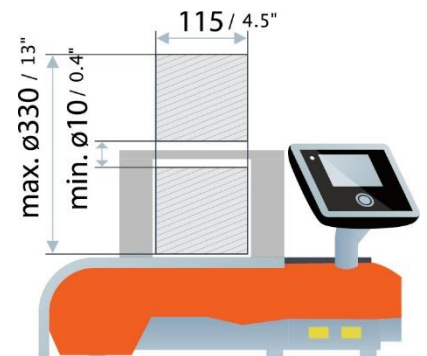
Power rating	1.5 - 3 kVA
Voltage	110 - 230 V
Current max.	13 A
Frequency	50 - 60 Hz

### Workpiece max. weight





Bearings and other parts	50 kg / 110 lbs
--------------------------	-----------------

### Workpiece Dimensions

Min. bore Vertical	10 mm / 0.4"
Min. bore Horizontal	65 mm / 2.56"
Max. Outer diameter	400 mm / 15.75"
Max. Workpiece width	115 mm / 4.53"



### Controls (for tension free heating)

	Temperature (1 sensor)	0-240 °C / 32-464°F (Custom: 0-400 °C)
	Temperature (2 sensor) (2 <sup>th</sup> sensor optional)	0-240 °C $\Delta$ T 20-50 °C
	Time	0-99 min
	Time / Temperature Ramp	5-99 min / 5-240 °C



### Standard Yokes

Dimensions	14x14x200 mm	0.55x0.55x7.90"
	25x24x200 mm	1.00x0.95x7.90"
	40x38x200 mm	1.60x1.50x7.90"

### Available Yokes (optional)

Dimensions	7x7x200 mm	0.30x0.30x7.90"
	10x10x200 mm	0.40x0.40x7.90"
	30x26x200 mm	1.20x1.00x7.90"
<i>Set adapter yokes</i>	40x50x75 mm	1.60x2.00x2.95"

### Touch screen

Heating Temperature (1 sensor)	Set- and actual temperature, time and power
Heating Temperature (2 sensor) (2 <sup>th</sup> sensor optional)	Set- and actual temperature, time and power. Actual temperature difference between inside and outside diameter
Heating time	Set- and actual time
Heating Time / temp ramp	Set- and actual temperature, time and power
Languages	English, German, Spanish, French
Error report	Shown in display

### Others



Heating graph	Shown in display
External interface	USB 2.0 Port
Sound signal	Buzzer
Temperature hold	Yes
Demagnetizing	< 2A/cm
Magnetic probe	One piece
Thermal safety guard coil	Yes
Warranty	36 Months (24+12)