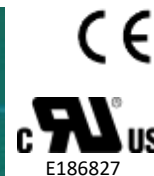
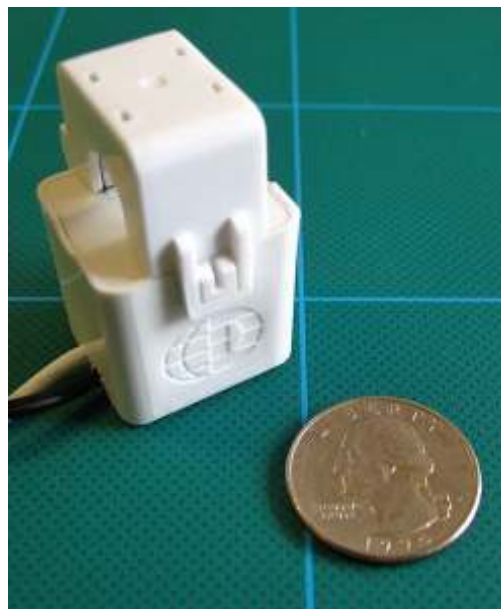


# 20A HIGH PERFORMANCE MINI CURRENT TRANSFORMERS



The hinged "Mini" CTs are small, low-cost current transformers with high accuracy (<0.5%) over a wide dynamic range with excellent phase shift. The "Minis" are ideal where space is limited such as when metering multiple loads within a panel board. Use for current measurement, energy metering, load surveys, demand metering, energy research, and submetering.



KEY SPECIFICATIONS	
Window Size	0.4" (10 mm)
Current Range*	0.25 - 40A AC
Output	333 mV @ 20A AC 16.65 mV/A AC
Ratio Error**	<0.5% from 0.25 to 40A AC (typical)
Phase Error	<1.5° from 1 to 40A AC <2° From 0.25 to 1A AC

\* Depending on meter compatibility. See ELITEpro™ and PowerScout™ specifications for details.  
\*\* For maximum performance, keep CT contact surfaces wiped clean and free of debris.

## ELECTRICAL

Output	333 mV @ 20 A
Wire Polarity	White = Hi, positive (+) Black = Low, negative (-)
Phasing	Arrow On Case Points
Orientation	Toward Load
Frequency Range	50 to 400 Hz

## MECHANICAL

Case Material	White Nylon, UL 94 V-0
Leads	600V, 20 gage
Working Temperature	-15 to 60°C (5 to 140°F)

## SAFETY

Working Voltage	600 VAC, Category III
Dielectric Strength	3520 VAC for 1 minute
Certifications	Conforms to: UL STD 61010-1 Certified to: CAN/CSA STD C22.2 No. 61010-1



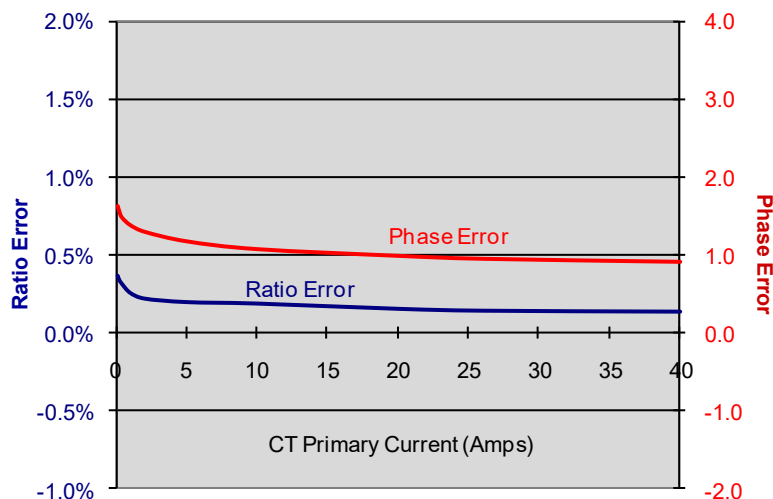
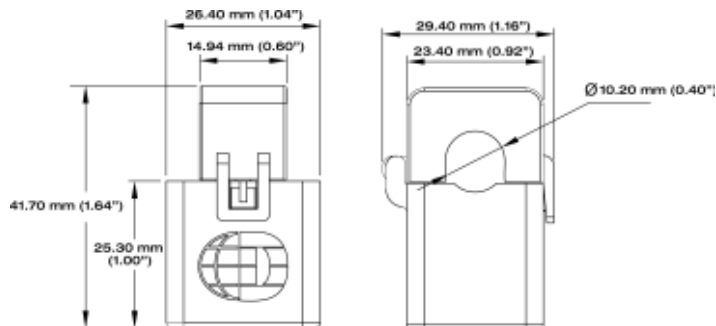
## PART NUMBERS

	3 M Leads	7 M Leads
20A Mini Hinged CT	CT-HSC-020-U	CT-HSC-020-U-7M

## CONTACT US

**DENT Instruments, Inc.**  
Energy & Power Measurement Solutions

925 SW EMKAY DRIVE  
BEND, OREGON 97702 USA  
541.388.4774 | 800.388.0770  
WWW.DENTINSTRUMENTS.COM



# 50A HIGH PERFORMANCE MINI CURRENT TRANSFORMERS



The hinged “Mini” CTs are small, low-cost current transformers with high accuracy (<0.5%) over a wide dynamic range with excellent phase shift. The “Minis” are ideal where space is limited such as when metering multiple loads within a panel board. Use for current measurement, energy metering, load surveys, demand metering, energy research, and submetering.

## KEY SPECIFICATIONS

Window Size	0.4" (10 mm)
Current Range*	0.25 - 80A AC
Output	333 mV @ 50 A AC 6.66 mV/A AC
Ratio Error**	<0.5% from 0.25 to 80A AC (typical)
Phase Error	<1.5° from 1 to 80A AC <2° From 0.25 to 1A AC

\* Depending on meter compatibility. See ELITEpro™ and PowerScout™ specifications for details.  
\*\* For maximum performance, keep CT contact surfaces wiped clean and free of debris.

## ELECTRICAL

Output	333 mV @ 50 A
Wire Polarity	White = Hi, positive (+) Black = Low, negative (-)
Phasing	Arrow On Case Points
Orientation	Toward Load
Frequency Range	50 to 400 Hz

## MECHANICAL

Case Material	White Nylon, UL 94 V-0
Leads	600V, 20 gage
Working Temperature	-15 to 60°C (5 to 140°F)

## SAFETY

Working Voltage	600 VAC, Category III
Dielectric Strength	3520 VAC for 1 minute
Certification	Conforms to: UL STD 61010-1 Certified to: CAN/CSA STD C22.2 No. 61010-1



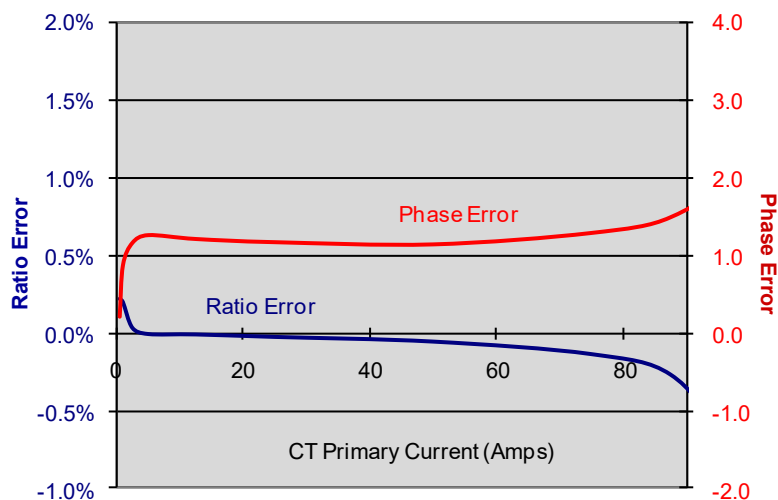
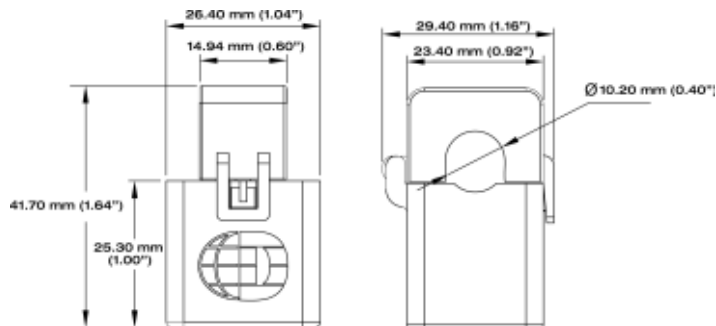
## PART NUMBERS

	3 M Leads	7 M Leads
50A Mini Hinged CT	CT-HSC-050-U	CT-HSC-050-U-7M

## CONTACT US

DENT Instruments, Inc.  
Energy & Power Measurement Solutions

925 SW EMKAY DRIVE  
BEND, OREGON 97702 USA  
541.388.4774 | 800.388.0770  
WWW.DENTINSTRUMENTS.COM



# HIGH PERFORMANCE MIDI HINGED CURRENT TRANSFORMERS

## 100A



The hinged "Midi" CTs are high performance, medium amperage, hinged current transformers. Use for current measurement, energy metering, load surveys, demand metering, energy research, and submetering.



KEY SPECIFICATIONS	
Window Size	25 mm (1.0")
Current Range	1 - 200A AC
Output	333 mV @ 100 A AC 3.33 mV/A AC
Ratio Error*	<0.3% from 1.0 A to 200 A AC (typical)
Phase Error*	<0.5° from 1.0 A to 200 A AC

\* For maximum performance, keep CT contact surfaces wiped clean and free of debris.

### ELECTRICAL

Output	333 mV @ 100 A
Wire Polarity	White = Hi, positive (+) Black = Low, negative (-)
Phasing	Arrow On Case Points Toward Load
Orientation	Toward Load
Frequency Range	50 to 400 Hz

### MECHANICAL

Case Material	White Nylon, UL 94 V-0
Leads	600V, 22 gage
Operating Temperature	-15 to 60°C (5 to 140°F)
Storage Temperature	-20 to 85°C (-4 to 185°F)

### SAFETY

Working Voltage	600 VAC, Category III
Dielectric Strength	5200 VAC for 1 minute
Safety Standards	UL STD 61010-1 CAN/CSA STD C22.2 No. 61010-1



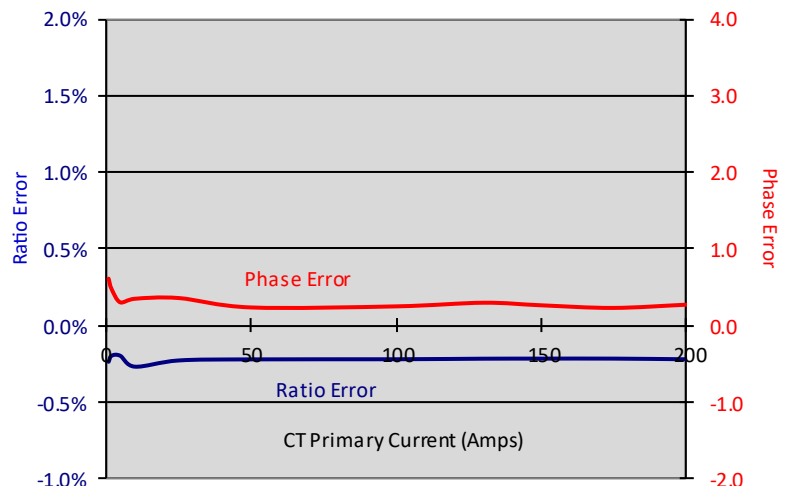
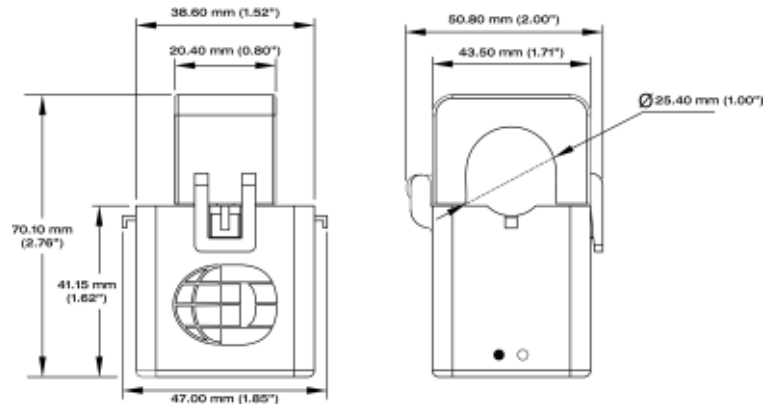
### PART NUMBERS

	3 M Leads	7 M Leads
100A Midi Hinged CT	CT-HMC-100-U	CT-HMC-100-U-7M

### CONTACT US

DENT Instruments, Inc.  
Energy & Power Measurement Solutions

925 SW EMKAY DRIVE  
BEND, OREGON 97702 USA  
541.388.4774 | 800.388.0770  
WWW.DENTINSTRUMENTS.COM



All specifications contained in this document are subject to change without notice.  
© DENT INSTRUMENTS, INC. rev 030119

# HIGH PERFORMANCE MIDI HINGED CURRENT TRANSFORMERS

## 200A



The hinged “Midi” CTs are high performance, medium amperage, hinged current transformers. Use for current measurement, energy metering, load surveys, demand metering, energy research, and submetering.



### KEY SPECIFICATIONS

Window Size	25mm (1.0")
Current Range	1 - 300 A AC
Output	333 mV @ 200 A AC 1.67 mV/A AC
Ratio Error*	<1.0% from 1.0 A to 300 A AC (typical)
Phase Error*	<0.5° from 1.0 A to 300 A AC

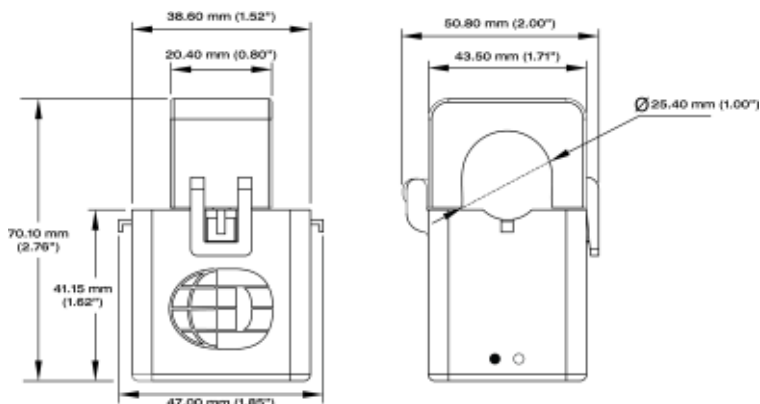
\* For maximum performance, keep CT contact surfaces wiped clean and free of debris.

### ELECTRICAL

Output	333 mV @ 200 A
Wire Polarity	White = Hi, positive (+) Black = Low, negative (-)
Phasing	Arrow On Case Points
Orientation	Toward Load
Frequency Range	50 to 400 Hz

### MECHANICAL

Case Material	White Nylon, UL 94 V-0
Leads	600V, 22 gage
Operating Temperature	-15 to 60°C (5 to 140°F)
Storage Temperature	-20 to 85°C (-4 to 185°F)



### SAFETY

Working Voltage	600 VAC, Category III
Dielectric Strength	5200 VAC for 1 minute
Safety Standards	UL STD 61010-1 CAN/CSA STD C22.2 No. 61010-1



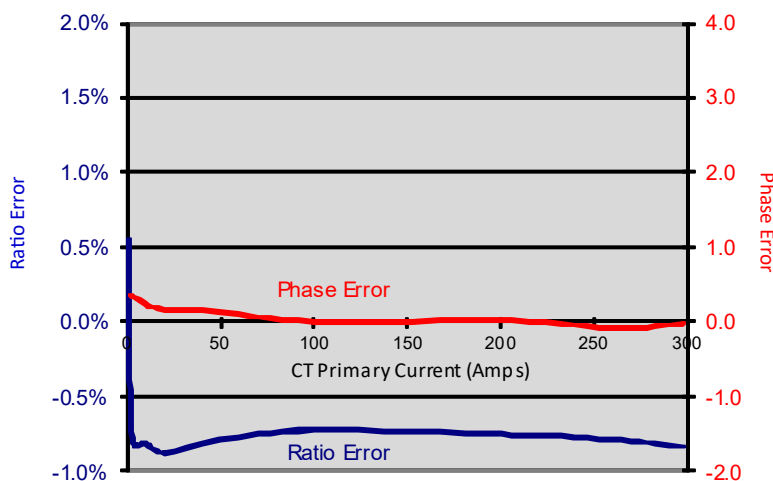
### PART NUMBERS

	3 M Leads	7 M Leads
200A Midi Hinged CT	CT-HMC-200-U	CT-HMC-200-U-7M

### CONTACT US

DENT Instruments, Inc.  
Energy & Power Measurement Solutions

925 SW EMKAY DRIVE  
BEND, OREGON 97702 USA  
541.388.4774 | 800.388.0770  
WWW.DENTINSTRUMENTS.COM



All specifications contained in this document are subject to change without notice.  
© DENT INSTRUMENTS, INC.  
rev 030119