

E1L Handheld Thermography Camera



The thermographic handheld camera is based on the thermal technology, specially designed for the needs of temperature measuring applications. People can quickly troubleshoot faults on-site.

Key Features

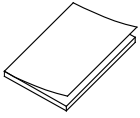
- Thermal resolution: 160 × 120 (19 200 pixels)
- NETD : < 40mK (@ 25 °C, F#=1.0)
- Temperature measurement range : -20 °C - 550 °C (-4°F~1022°F)
- Accuracy: Max ($\pm 2^{\circ}\text{C}/3.6^{\circ}\text{F}$, $\pm 2\%$), for ambient temperature 15°C to 35°C (59°F to 95°F) and object temperature above 0°C (32°F)
- Measurement presets: Center spot, Hot spot, Cold spot, Off
- 25 Hz image frequency
- Weight: 350g (0.77 lb)
- Up to 8 hours continuous running

Specification

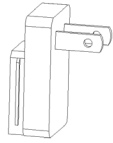
Thermal Module	
Image Sensor	Vanadium Oxide Uncooled Focal Plane Arrays
IR Resolution	160 × 120 (19 200 pixels)
Pixel Pitch	17 μm
Spectral Range	8 - 14 μm
NETD	< 40mK (@ 25 °C, F#=1.0)
Focal Length	3.1 mm
FOV (Field of View)	37.2° × 50 °
Image Frequency	25 Hz
Focus	Fixed
Aperture	F1.1
Minimum Focus Distance	0.15 m (0.49 ft)
Image Display	
Display	320 × 240 Resolution, 2.4" LCD Screen
Color Palettes	White Hot, Black Hot, Rainbow, Ironbow
Measurement and Analysis	
Object Temperature Range	-20 °C to 550 °C (-4 °F to 1022 °F)
Accuracy	Max (±2°C/3.6°F, ±2%), for ambient temperature 15°C to 35°C (59°F to 95°F) and object temperature above 0°C (32°F)
Measurement Presets	Center Spot, Hot Spot, Cold Spot, Off
Storage	
Storage Media	Removable Micro SD Card (8 GB)
Image Storage Capacity	150 000 Images
Image File Format	JPEG with Measurement Data Included
Functions	
Laser Pointer	Yes
Laser Type	Class II
Level/Span	Auto
Power System	
Power Supply	3.7 V DC/0.4 A
Power Consumption	1.2 W
Battery Type	Rechargeable Li-ion Battery
Battery Operating Time	8 Hours Continuous Running
General	
Menu Language	17 Languages English/German/French/Russian/Korean/Spanish/Portuguese/Italian/Japanese/Hungarian/Czech/Slovak/Polish/Romanian/Danish/Turkish/Traditional_Chinese
Working Temperature Range	-20 °C to 50 °C (-4 °F to 122 °F)

Storage Temperature Range	-20 °C to 60 °C (-4 °F to 140 °F)
Protection Level	IP54
Drop Test Height	2 m (6.56 ft)
Interface	Micro USB
Weight	Approx. 350 g (0.77 lb)
Dimension	196 mm × 117 mm × 59 mm (7.7 " × 4.6 " × 2.3 ")
Tripod Mounting	UNC ¼"-20

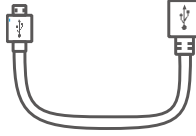
Packing List



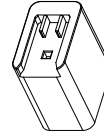
Quick Start Guide
(x1)



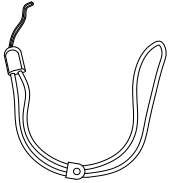
Adapters (x5)



USB Cable (x1)



Power Adapter (x1)

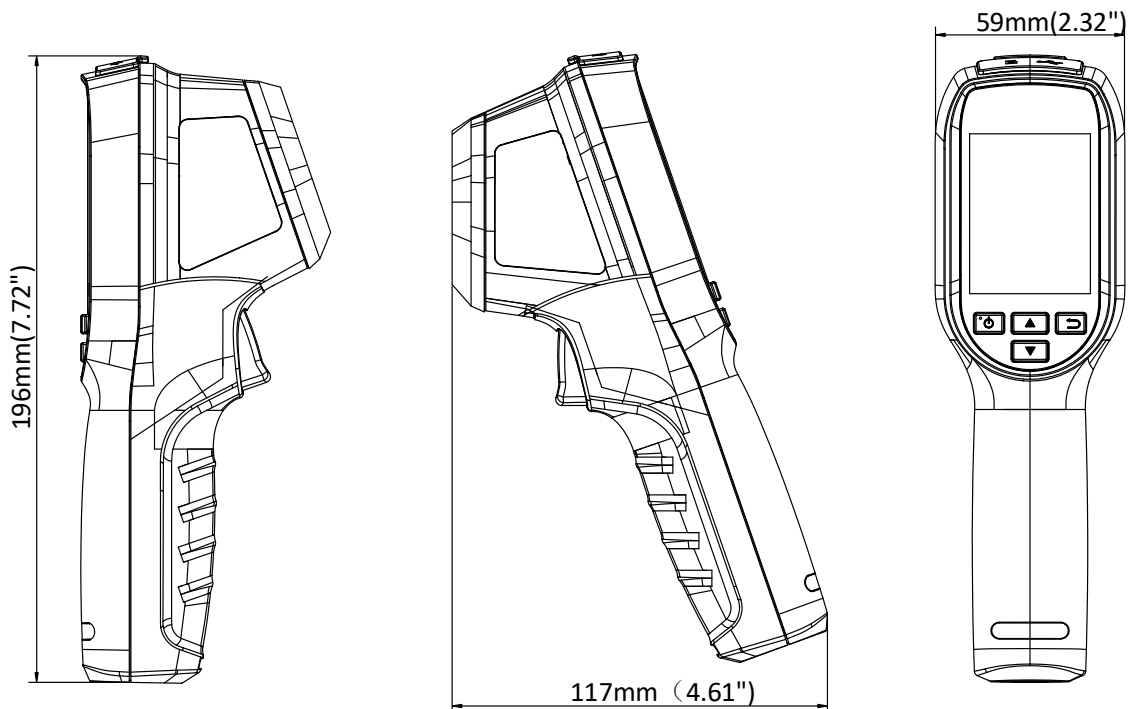


Wrist Strap (x1)

Available model

HM-TP31-3AUF-E1L

Dimension



North America (HQ)
+1 (941) 907 9128

LATAM
+1 (941) 704-4445

EMEA
+44 (0) 1245-399-713

APAC
+1 (941) 524-3340



www.iriss.com