

# HM-G605-LENS



## Interchangeable Lens

The interchangeable lens series is often used with handheld thermal cameras to expand the focal length of the original camera to different ranges, so as to obtain different FOVs and scene scopes.

### Key Features

- FOV (Field of View): 48.2° (H) × 38.5° (V) @ G60; 35.4° (H) × 26.2° (V) @ G40
- Compatible with G40, G60

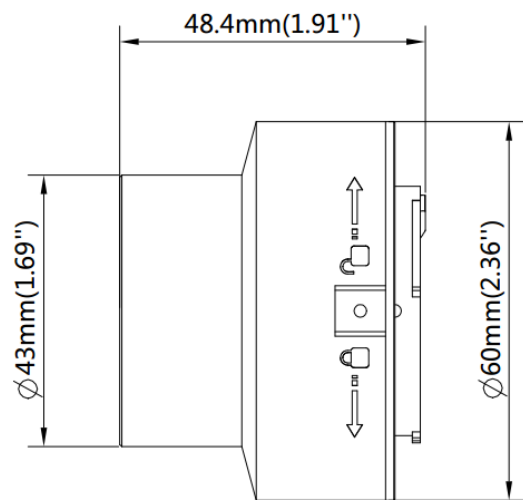
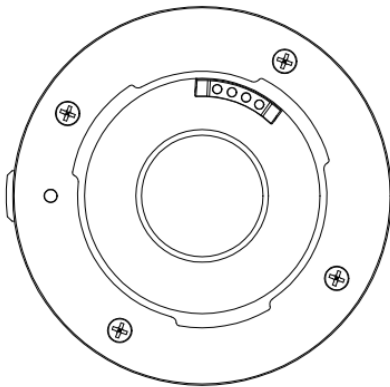
### Specification

<b>Thermal Module</b>	
Focal Length	13 mm
FOV (Field of View)	48.2° (H) × 38.5° (V) @ G60 35.4° (H) × 26.2° (V) @ G40
IFOV (Spatial Resolution)	1.31mrad
Aperture	F1.3
Min. Focusing Distance	0.2 m (0.22 yd)
<b>General</b>	
Working Temperature Range	-20°C to 50°C (-4°F to 122°F)
Weight	220 g
Dimension	48.4 mm × φ60 mm

## Available Model

**HM-G605-LENS**

## Dimension



COMPLIANCE NOTICE: The thermal series products might be subject to export controls in various countries or regions, including without limitation, the United States, European Union, United Kingdom and/or other member countries of the Wassenaar Arrangement. Please consult your professional legal or compliance expert or local government authorities for any necessary export license requirements if you intend to transfer, export, re-export the thermal series products between different countries.



 HIKMICRO Thermography  hikmicro\_thermography  HIKMICRO Thermography  HIKMICRO  [info@hikmicrotech.com](mailto:info@hikmicrotech.com)  <http://hikmicrotech.com/en>

room 313, unit B, building 2, 399 danfeng road, xixing subdistrict, binjiang district, hangzhou, zhejiang  
@hangzhou microimage software co., Ltd .2020 | data subject to change without notice!